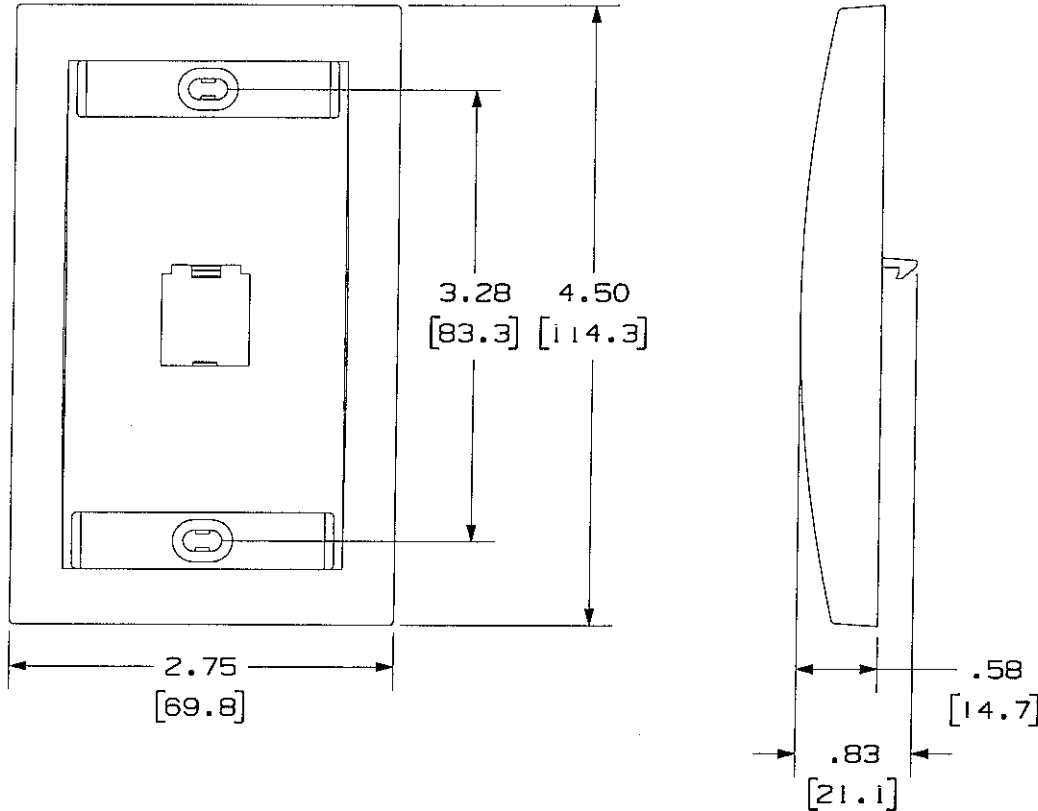


THIS COPY IS PROVIDED ON A RESTRICTED BASIS AND IS NOT TO BE USED IN ANY WAY DETRIMENTAL TO THE INTERESTS OF PANDUIT CORP.


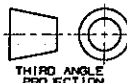
PANDUIT P/N	WEIGHT
CFPE1**Y	.70 LB/10 PCS (317.5 g/10 PCS)



NOTES:

1. SEE CURRENT CATALOG FOR ADDITIONAL PART NUMBER SUFFIXES TO INDICATE COLOR AND OR PACKAGE QUANTITY.
2. SEE CATALOG FOR COMPLETE LIST OF PARTS APPLICABLE FOR USE WITH THIS PART.
3. DIMENSIONS IN [] ARE IN METRIC.
4. PART INCLUDES:
 - 1- FACEPLATE
 - 2- LABEL
 - 2- LABEL COVER
 - 2- MOUNTING SCREW

NETWORK SYSTEMS
 MAY 25 2006
ENGINEERING DEPT

DRAWING FILENAME		M02479EJ_DC116_00A.PRT	SIZE
			A
MINI-COM 1 POSITION EXECUTIVE SERIES FACEPLATE CUSTOMER DRAWING			
 PANDUIT ™ CORP. TINLEY PARK, ILL 60477		I.I. NUMBER	N/A
ALL DIMENSIONS ARE GIVEN IN INCHES. UNLESS OTHERWISE SPECIFIED. DIMENSIONAL TOLERANCES ARE: (.X) ± (.XXX) ± .010(.3) (.XX) ± .031(.8) ANGLES ±		PRODUCT SPEC	N/A
 THIRD ANGLE PROJECTION		WORK INSTRUCTION	N/A
DRAWN BY		DATE	SCALE
JsP		4-26-06	NONE
MATERIAL:		PART NO.	
ABS		CFPE1**Y	
		DRAWING NO.	02479-116

REV	DATE	BY	CHK	DESCRIPTION	ECN	R	CUST	SUP	OTH
R	4-26-06	JsP	M/D	RELEASED TO PRODUCTION	02479-116		M/D	M/D	